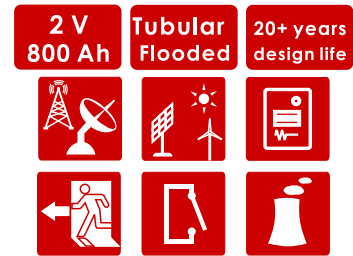


2V TUBULAR FLOODED SERIES BATTERY

The OPzS series is a traditional tubular plate flooded battery which offers 20+ years design life according to the standard IEC60896-11. With a new design and technical improvement, it offers maximum efficiency and reliability for the widest variety of applications. This series is highly suited for all standby power applications that require the highest levels of reliability and security.



SPECIFICATIONS

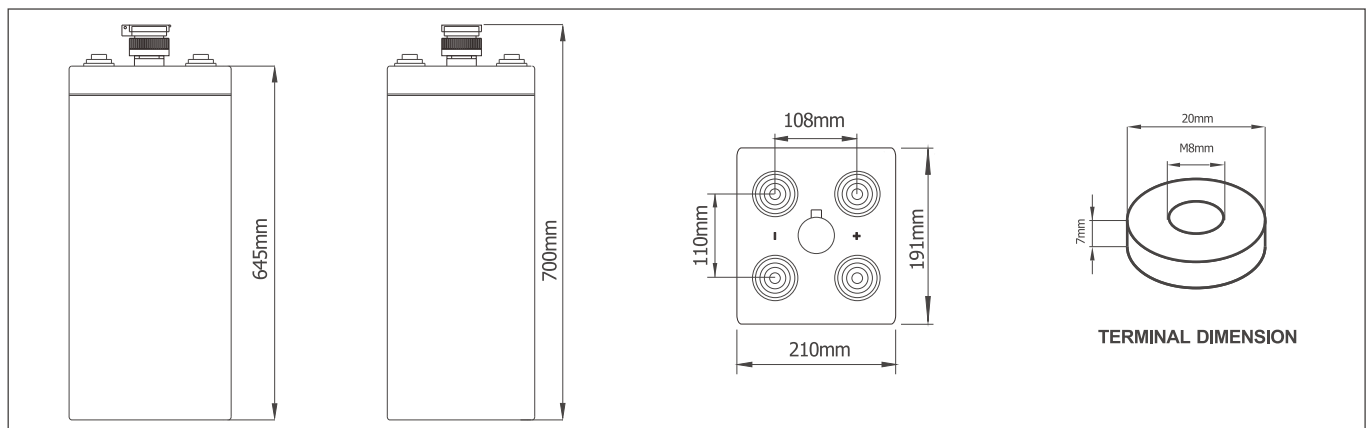
Nominal Voltage (V)	2
Designed Floating Life (20°C)	20+ Years
Nominal Capacity (20°C)	800 Ah @ C ₁₀ (to 1.80Vpc)
Dimensions	L191mm × W210mm × H700mm
Approx. Weight	Without electrolyte: 42.0Kg (92.6 lbs) With electrolyte: 58Kg (128 lbs)
Electrolyte	Diluted sulphuric acid of 1.240 g/cm ³ (20°C) Acid weight: 16Kg
Terminal Type	Female Copper Insert M8 (torque:10~12N.m)
Internal Resistance	Approx. 0.49mOhm (fully charged @ 20°C)
Max. Charge Current	160 A
Max. Discharge Current (5S)	2500 A
Short Circuit Current	4000 A
Self Discharge	Approx. 4% per month @ 20°C
Ambient Temperature	Discharge: -25~65°C Charge: -20~65°C Storage: -15~40°C
Float Charge Voltage (20~25°C)	2.23V @25°C (-3mV / °C/ cell)
Equalize Charge Voltage (20~25°C)	2.35V @25°C (-5mV / °C/ cell)
Container Material	SAN



Complied standards

- IEC 60896-11
- DIN40736
- IEC61427
- Eurobat guide, long life
- BS6290 part 4
- UL1989

DIMENSIONS



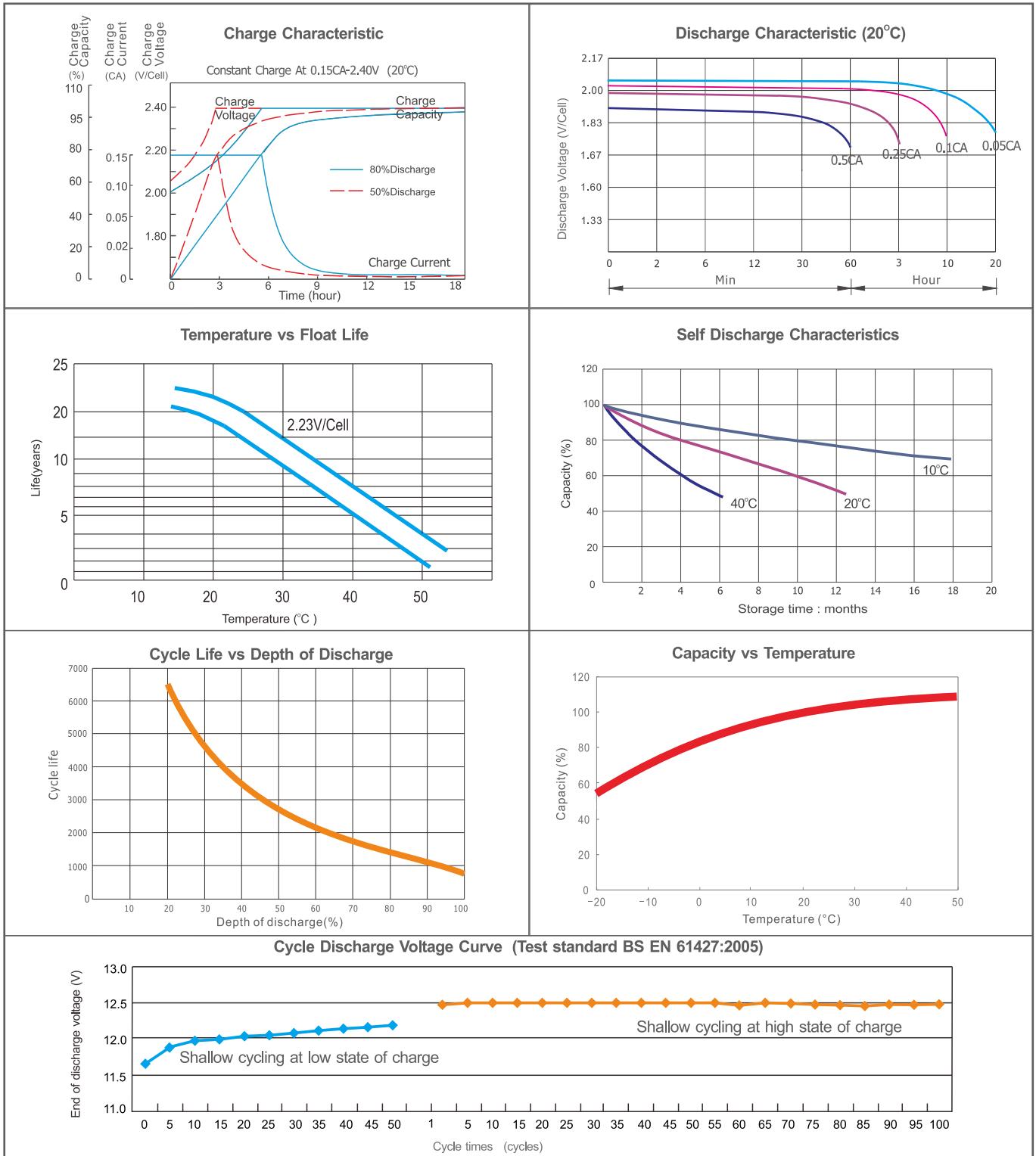
BATTERY DISCHARGE TABLE

Constant Current Discharge Characteristics: Amps (20°C)

F.V./Time	5min	10min	15min	30min	1h	2h	3h	4h	5h	8h	10h	20h
1.90V	319	290	264	258	239	187	151	127	111	82.4	72.8	40.0
1.85V	345	330	325	323	272	207	167	141	130	87.2	76.0	41.8
1.80V	550	528	517	445	350	244	205	160	138	98.4	80.0	44.0
1.75V	661	634	614	509	390	264	212	166	142	100	82.4	46.2

Constant Power Discharge Characteristics: W/cell (20°C)

F.V./Time	5min	10min	15min	30min	1h	2h	3h	4h	5h	8h	10h	20h
1.90V	619	563	506	489	460	400	329	278	238	174	150	80.6
1.85V	669	642	623	607	523	452	344	309	265	190	163	87.8
1.80V	1068	1025	878	813	686	548	438	358	302	214	176	91.3
1.75V	1282	1230	901	818	691	570	463	378	316	217	183	93.5



Long time discharge capacity for Solar & Wind applications

Capacity	C ₂₄ (Ah)	C ₄₈ (Ah)	C ₇₂ (Ah)	C ₁₀₀ (Ah)	C ₁₂₀ (Ah)	C ₂₄₀ (Ah)
OPzS2-800	904	992	1040	1080	1096	1120
Final Voltage	1.85 V					

Solar & Wind applications parameters settings

Over voltage disconnect:	2.47±0.01V/cell @ 25°C
Regulation/equalize voltage:	2.40±0.01V/cell @ 25°C
Array reconnection voltage:	2.23±0.005V/cell @ 25°C
Float voltage setting:	2.25±0.005V/cell @ 25°C
Low voltage alarm voltage:	1.95±0.005V/cell @ 25°C
Low voltage disconnect:	1.90±0.005V/cell @ 25°C
Load reconnect voltage:	2.09±0.01V/cell @ 25°C
Temp. compensate coefficient:	-4mV/cell/°C

CONTACT US:

Company: Zhejiang Chisen Battery Co.,Ltd

Address: Room 3305, Building 2, Wealth Financial Center, Shangcheng District, Hangzhou, Zhejiang

Website: <https://www.chisen.cn>

Email: sales@chisen.cn

chisenbattery@gmail.com

Facebook: <https://www.facebook.com/chisenbattery>

LinkedIn: <https://linkedin.com/company/chisen>

VK: <https://vk.com/chisenbattery>

Note: All above information shall be changed without prior notice, CHISEN reserves the right to explain and update 2/2